

Vibrabsorber **1 AMC**



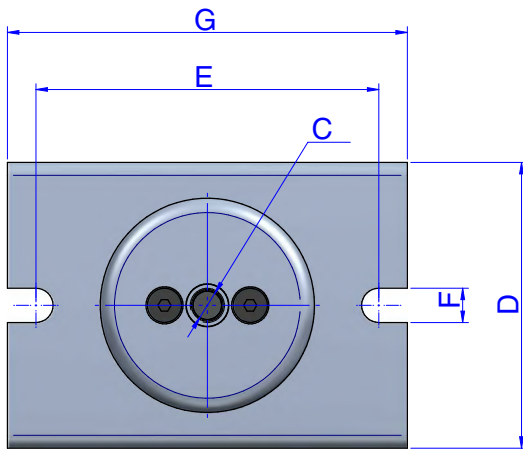
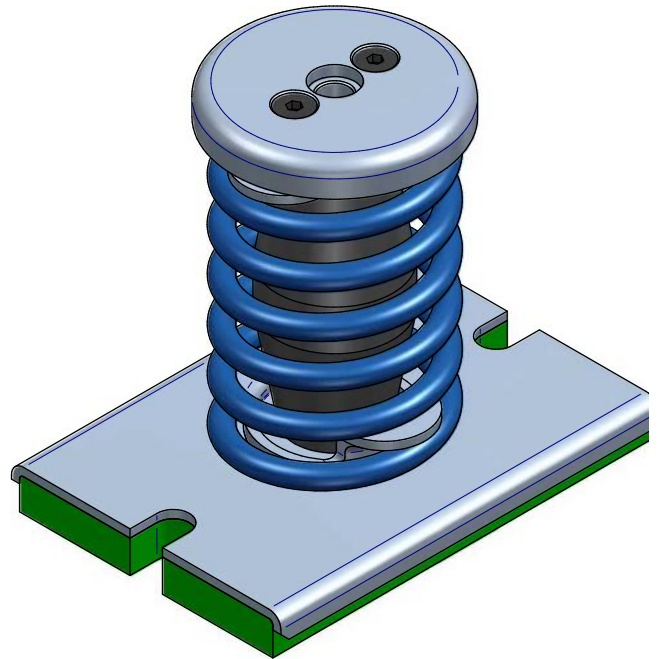
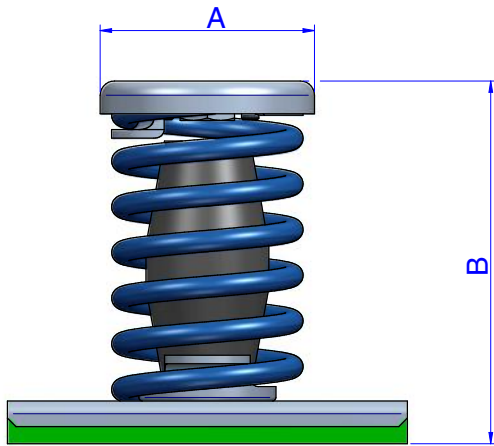
Spring mount is necessary in all machinery, which, by virtue of its design, has reciprocating or rotating parts, creates vibration to some degree through the imbalance of the moving parts.

This vibration produced by a machine leads to different problems, such as a reduction in the machine's useful life through part wear, plus the transmission of this vibration to other non-insulated adjacent structures, giving rise to problems of noise and vibration transmission. It is therefore important to install a spring mount to machinery.



Vibrabsorber 1 AMC

DRAWINGS

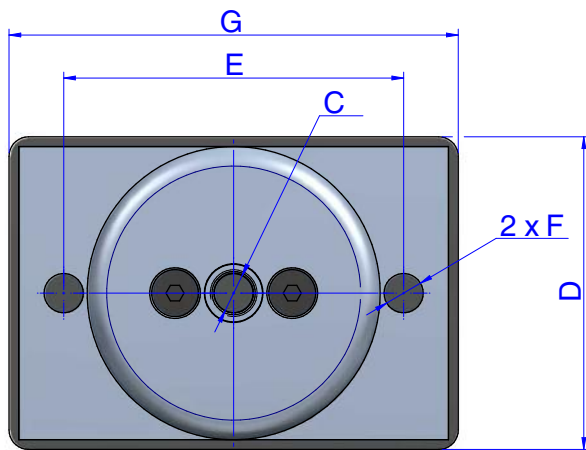
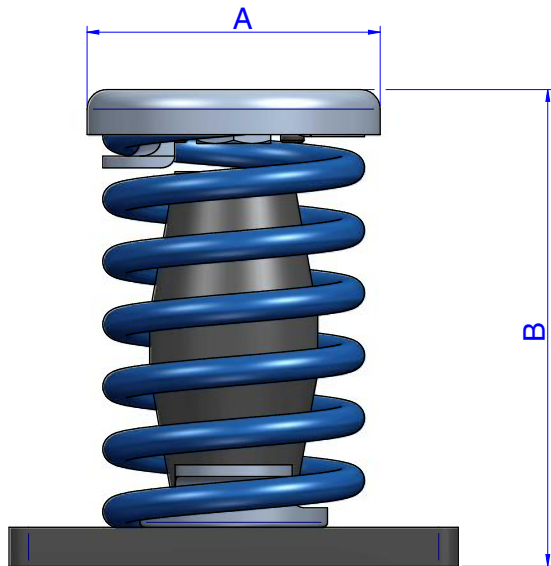


DIMENSIONS

Type	A (mm.)	B (mm.)	Spring color	C (mm.)	D (mm.)	E (mm.)	F (mm.)	G (mm.)	Code
1 AMC 150+Sylomer®	75	127	BLUE	M-12	100	87	12	140	20371
1 AMC 200+Sylomer®	75	127	WHITE	M-12	100	87	12	140	20372
1 AMC 250+Sylomer®	75	127	BLACK	M-12	100	87	12	140	20373
1 AMC 350+Sylomer®	75	127	CREAM	M-12	100	87	12	140	20374
1 AMC 500+Sylomer®	90	127	LIGHT GREY	M-14	100	120	12	140	20375
1 AMC 750+Sylomer®	90	127	GREEN	M-14	100	120	12	140	20376

Vibrabsorber 1 AMC

DRAWINGS



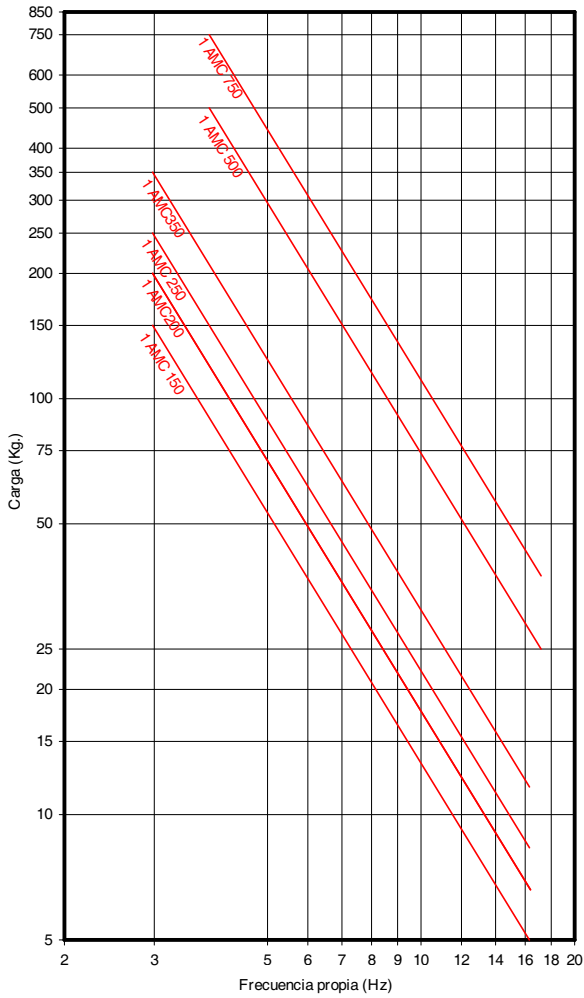
DIMENSIONS

Type	A (mm.)	B (mm.)	Spring color	C (mm.)	D (mm.)	E (mm.)	F (mm.)	G (mm.)	Code
1 AMC 150	75	122	BLUE	M-12	80	87	10	115	20301
1 AMC 200	75	122	WHITE	M-12	80	87	10	115	20311
1 AMC 250	75	122	BLACK	M-12	80	87	10	115	20321
1 AMC 350	75	122	CREAM	M-12	80	87	10	115	20331
1 AMC 500	90	122	LIGHT GREY	M-14	100	120	12	150	20341
1 AMC 750	90	122	GREEN	M-14	100	120	12	150	20351

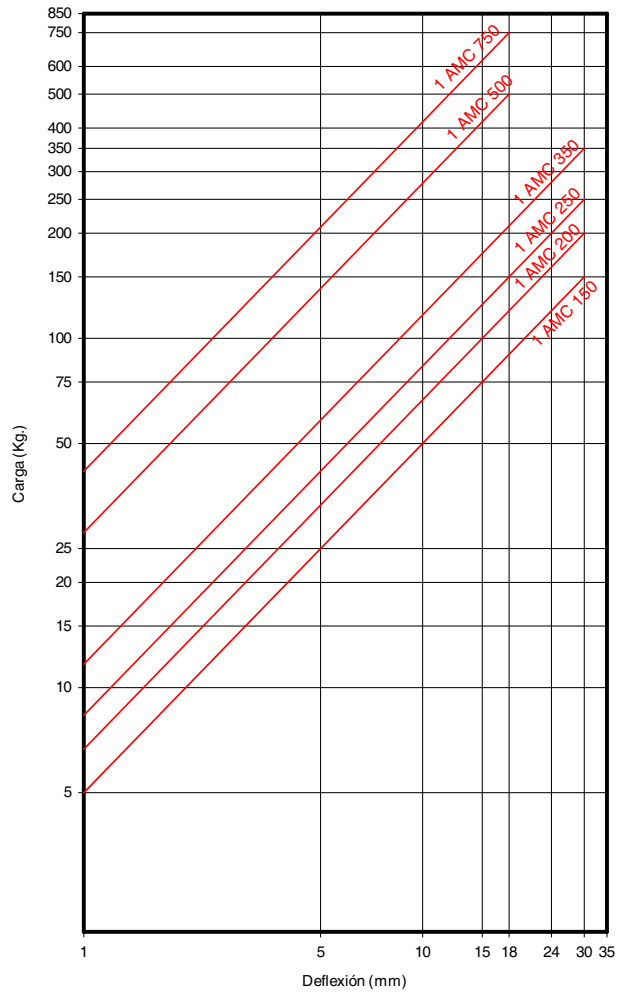
Vibrabsorber 1 AMC

ELASTICAL PROPERTIES

AMC FRECUENCIAS PROPIAS
MECANOCAUCHO® Tipo 1 AMC



AMC CARGA DEFORMACION
MECANOCAUCHO® Tipo 1 AMC



Vibrabsorber **2 AMC**



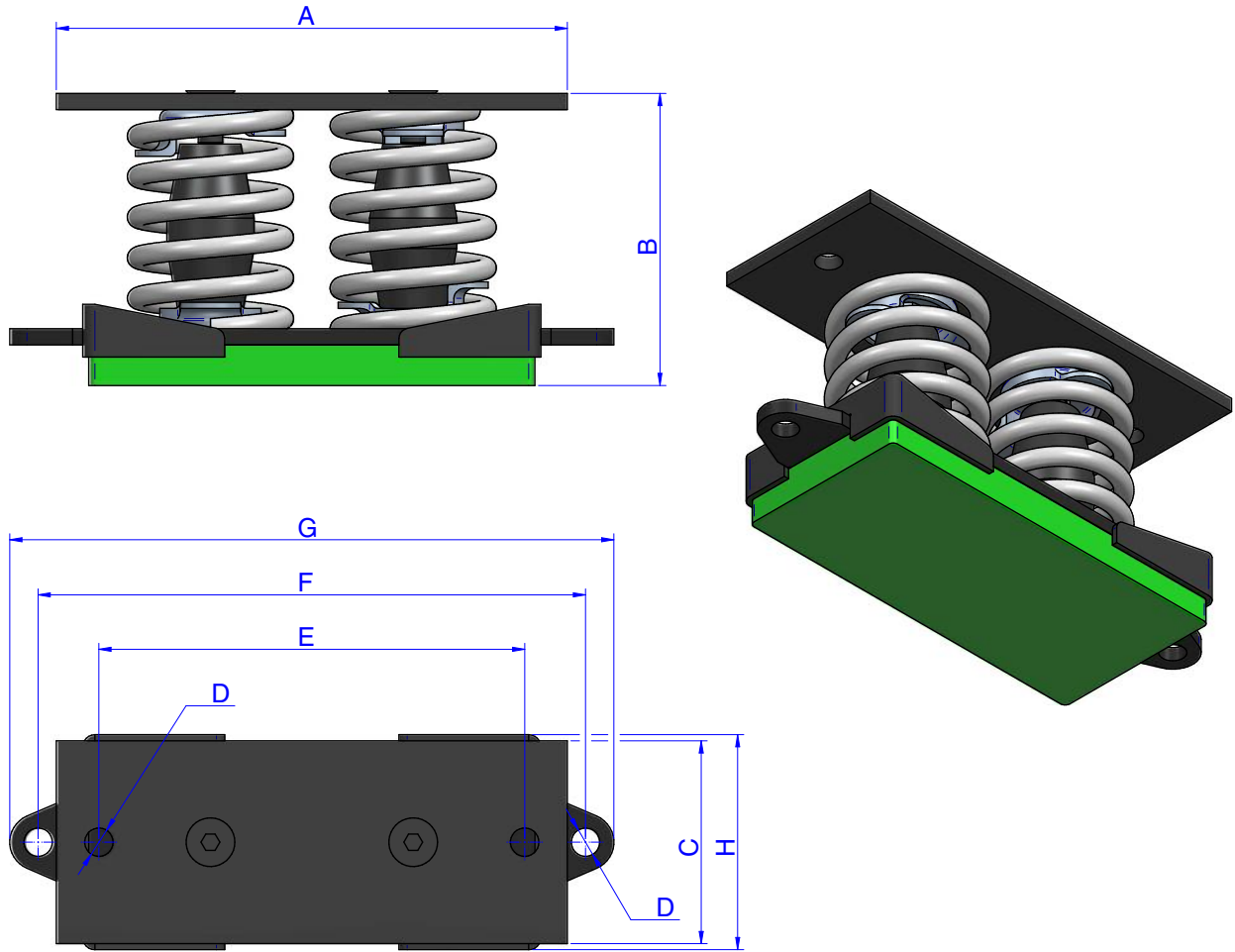
Spring mount is necessary in all machinery, which, by virtue of its design, has reciprocating or rotating parts, creates vibration to some degree through the imbalance of the moving parts.

This vibration produced by a machine leads to different problems, such as a reduction in the machine's useful life through part wear, plus the transmission of this vibration to other non-insulated adjacent structures, giving rise to problems of noise and vibration transmission. It is therefore important to install a spring mount to machinery.



Vibrabsorber 2 AMC

DRAWINGS



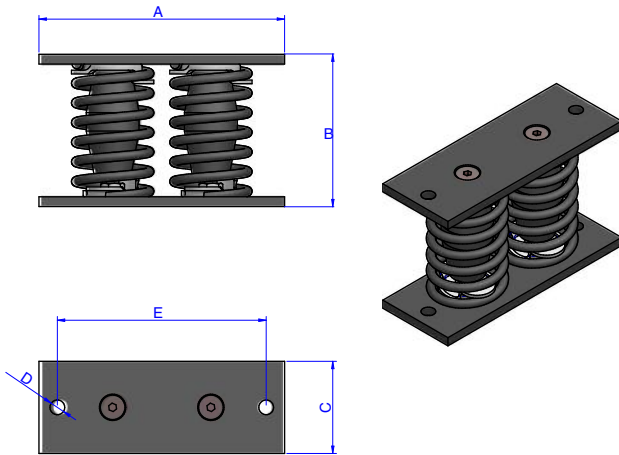
DIMENSIONS

Type	A (mm.)	B (mm.)	Spring color	C (mm.)	D (mm.)	E (mm.)	F (mm.)	G (mm.)	H (mm.)	Code
2 AMC 300+Sylomer®	200	136	BLUE	75	12	170	220	244	81	20471
2 AMC 400+Sylomer®	200	136	WHITE	75	12	170	220	244	81	20472
2 AMC 500+Sylomer®	200	136	BLACK	75	12	170	220	244	81	20473
2 AMC 700+Sylomer®	200	136	CREAM	75	12	170	220	244	81	20474
2 AMC 1000+Sylomer®	250	136	LIGHT GREY	100	14	210	270	298	106	20475
2 AMC 1500+Sylomer®	250	136	GREEN	100	14	210	270	298	106	20476

Vibrabsorber

2 AMC

DRAWINGS



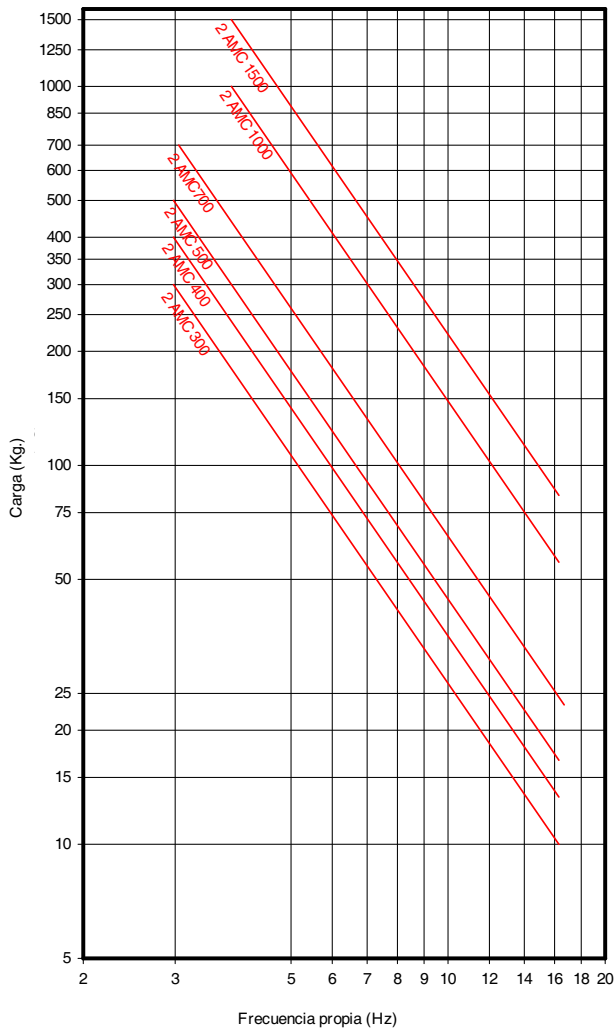
DIMENSIONS

Type	A (mm.)	B (mm.)	Spring color	C (mm.)	D (mm.)	E (mm.)	Code
2 AMC 300	200	124	BLUE	75	12	170	20401
2 AMC 400	200	124	WHITE	75	12	170	20411
2 AMC 500	200	124	BLACK	75	12	170	20421
2 AMC 700	200	124	CREAM	75	12	170	20431
2 AMC 1.000	250	124	LIGHT GREY	100	14	210	20441
2 AMC 1.500	250	124	GREEN	100	14	210	20451

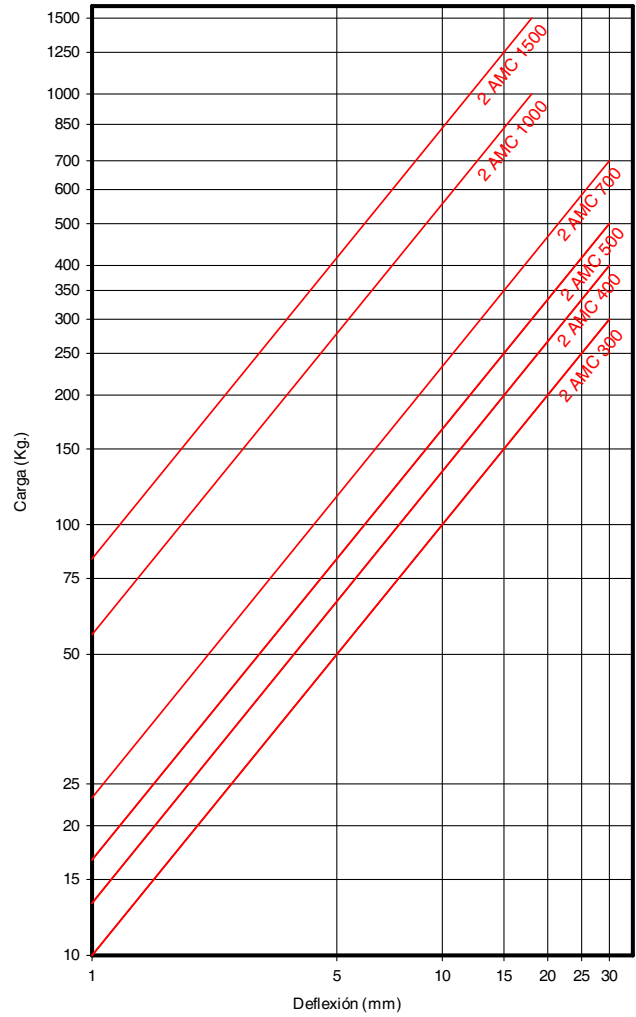
Vibrabsorber 2 AMC

ELASTICAL PROPERTIES

AMC FRECUENCIAS PROPIAS
MECANOCAUCHO® Tipo 2 AMC



AMC CARGA DEFORMACION
MECANOCAUCHO® Tipo 2 AMC



Vibrabsorber **3 AMC**



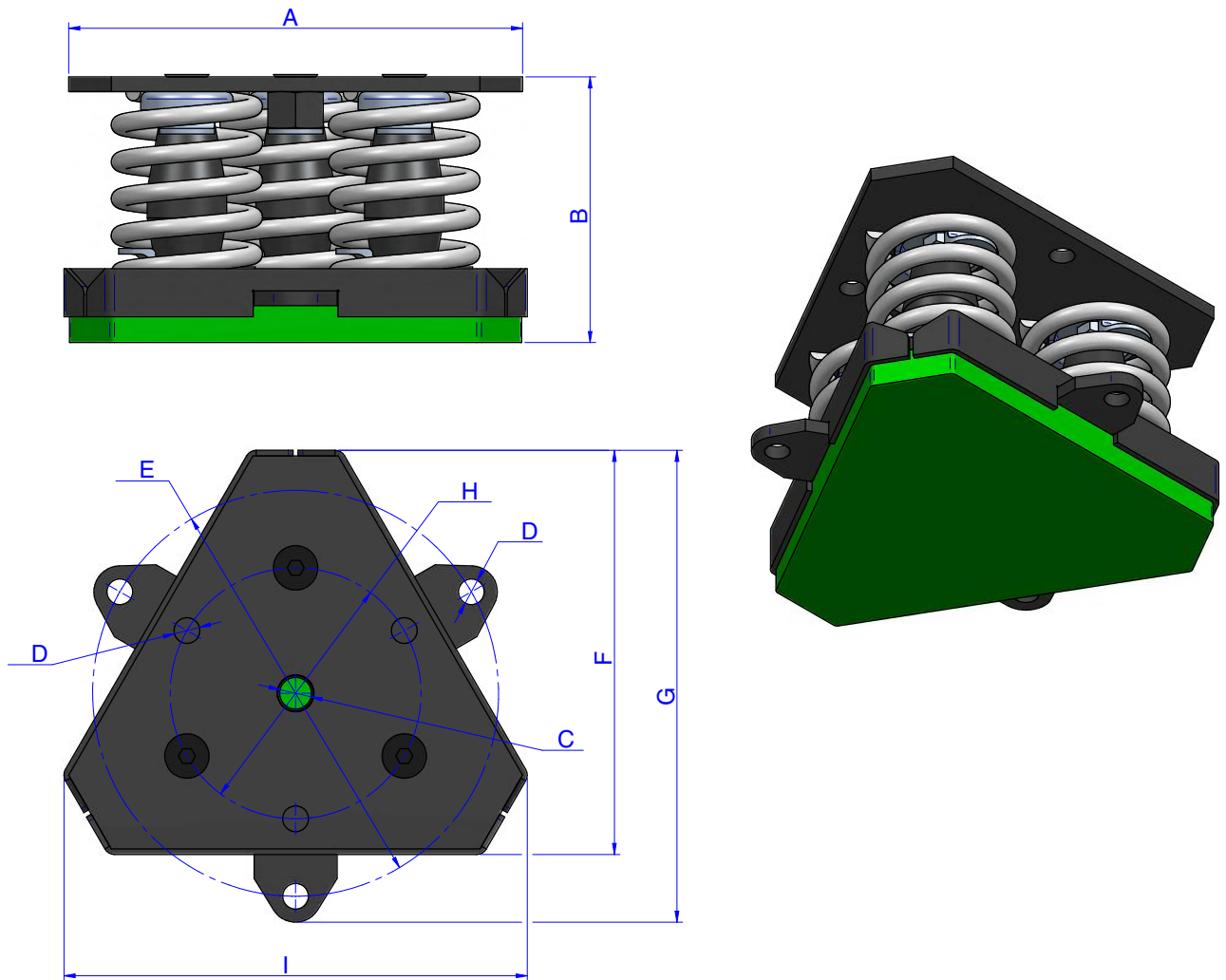
Spring mount is necessary in all machinery, which, by virtue of its design, has reciprocating or rotating parts, creates vibration to some degree through the imbalance of the moving parts.

This vibration produced by a machine leads to different problems, such as a reduction in the machine's useful life through part wear, plus the transmission of this vibration to other non-insulated adjacent structures, giving rise to problems of noise and vibration transmission. It is therefore important to install a spring mount to machinery.



Vibrabsorber 3 AMC

DRAWINGS



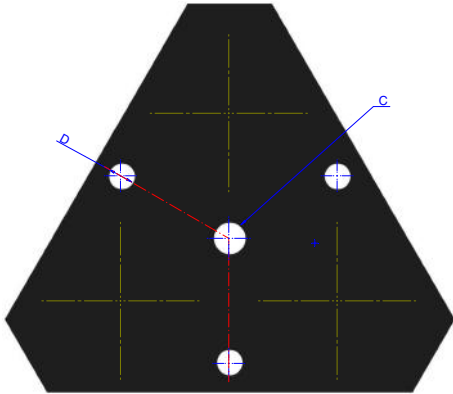
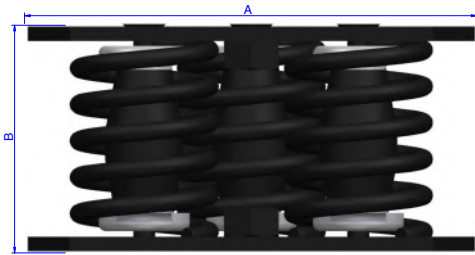
DIMENSIONS

Type	A (mm.)	B (mm.)	Spring color	C (mm.)	D (mm.)	E (mm.)	F (mm.)	G (mm.)	H (mm.)	I (mm.)	Code
3 AMC 450+Sylomer®	196,3	136	BLUE	M-16	12	180	176	207,7	110	201,4	20571
3 AMC 600+Sylomer®	196,3	136	WHITE	M-16	12	180	176	207,7	110	201,4	20572
3 AMC 750+Sylomer®	196,3	136	BLACK	M-16	12	180	176	207,7	110	201,4	20573
3 AMC 1050+Sylomer®	196,3	136	CREAM	M-16	12	180	176	207,7	110	201,4	20574
3 AMC 1500+Sylomer®	246	136	LIGHT GREY	M-20	14	220	219	255,7	136	251	20575
3 AMC 2250+Sylomer®	246	136	GREEN	M-20	14	220	219	255,7	136	251	20576

Vibrabsorber

3 AMC

DRAWINGS



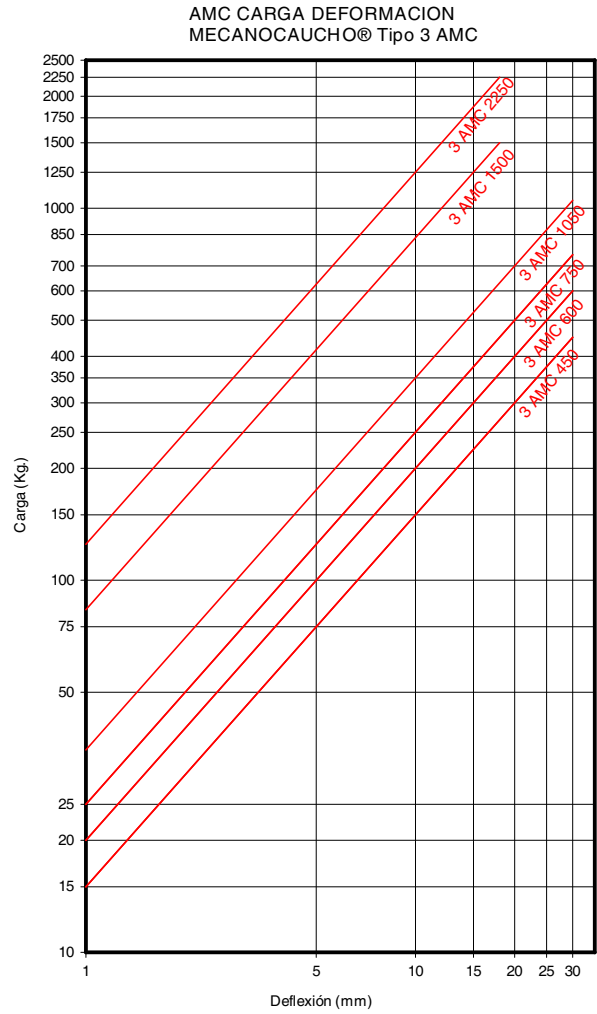
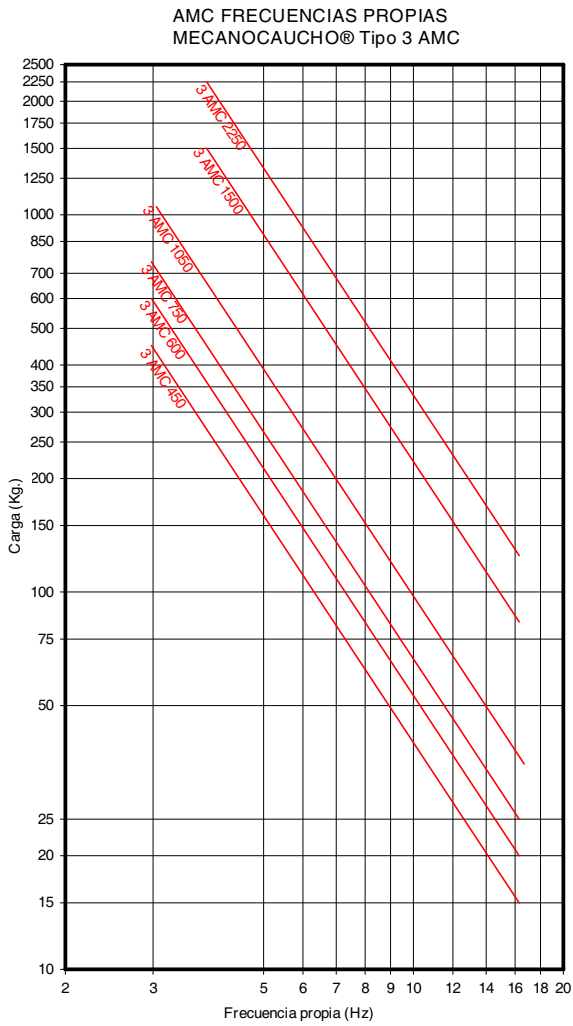
DIMENSIONS

Type	A (mm.)	B (mm.)	Spring color	C (mm.)	D (mm.)	Code
3 AMC 450	190	124	BLUE	M-16	12	20501
3 AMC 600	190	124	WHITE	M-16	12	20511
3 AMC 750	190	124	BLACK	M-16	12	20521
3 AMC 1050	190	124	CREAM	M-16	12	20531
3 AMC 1500	242	124	LIGHT GREY	M-20	14	20541
3 AMC 2250	242	124	GREEN	M-20	14	20551

Vibrabsorber

3 AMC

ELASTICAL PROPERTIES



Vibrabsorber **4 AMC**



Spring mount is necessary in all machinery, which, by virtue of its design, has reciprocating or rotating parts, creates vibration to some degree through the imbalance of the moving parts.

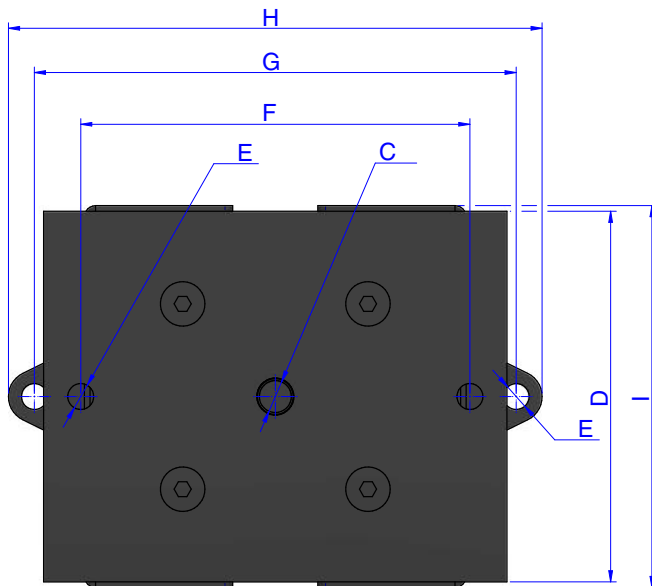
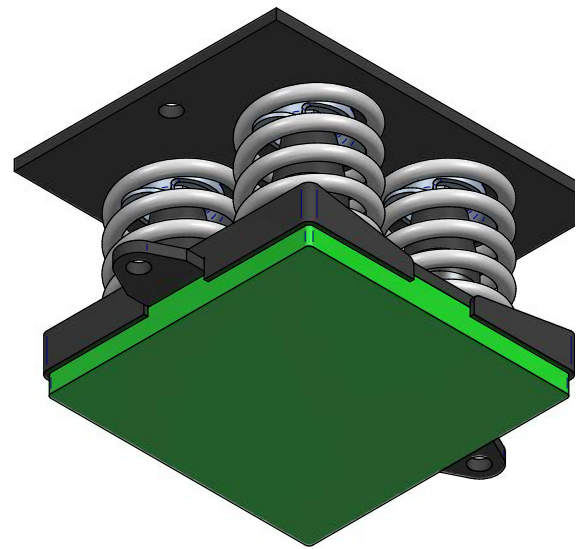
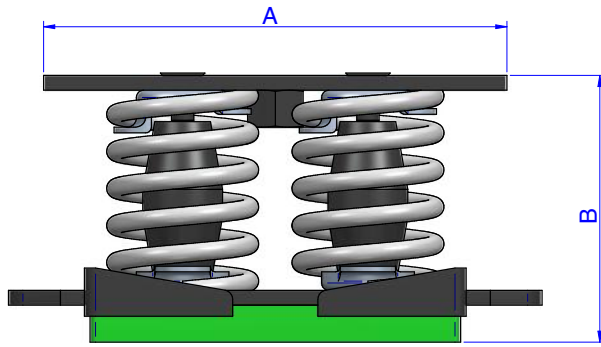
This vibration produced by a machine leads to different problems, such as a reduction in the machine's useful life through part wear, plus the transmission of this vibration to other non-insulated adjacent structures, giving rise to problems of noise and vibration transmission. It is therefore important to install a spring mount to machinery.



Vibrabsorber

4 AMC

DRAWINGS

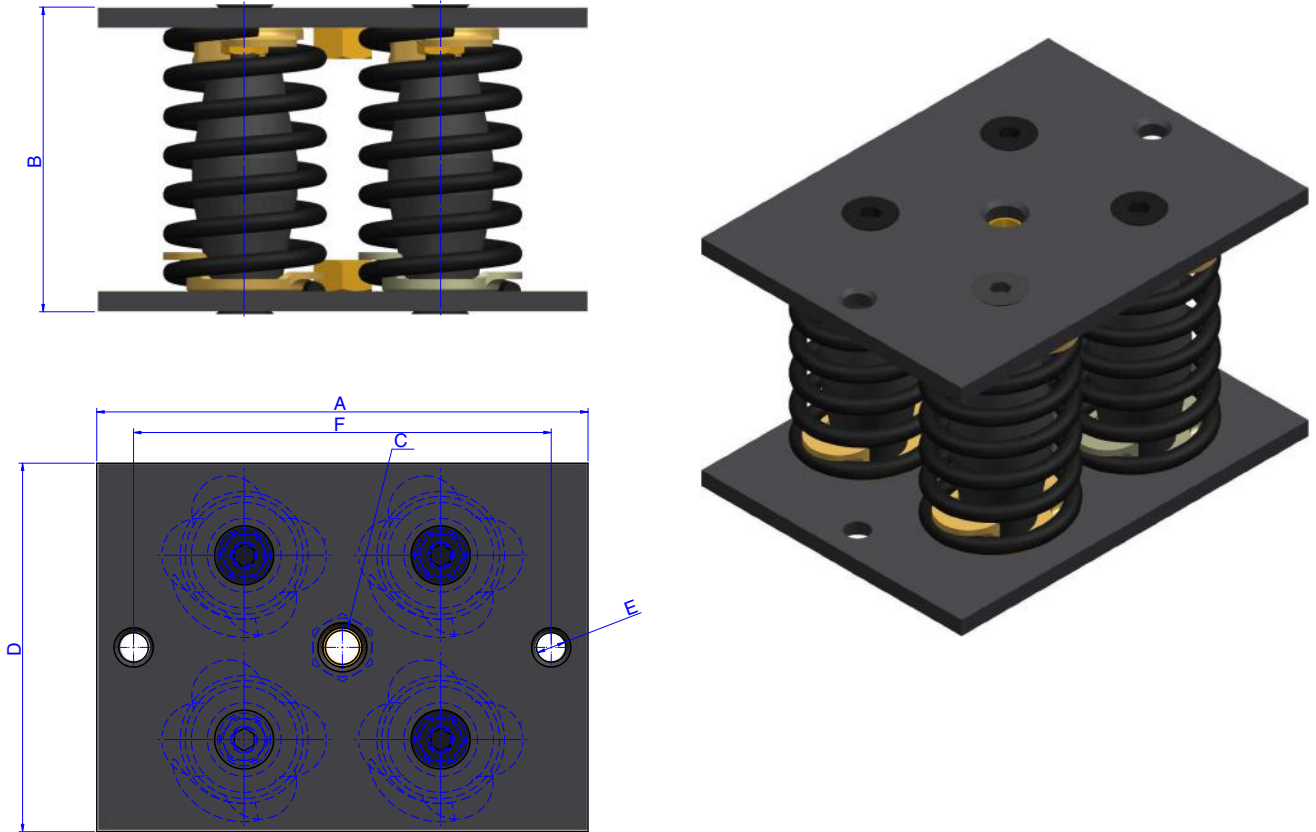


DIMENSIONS

Type	A (mm.)	B (mm.)	Spring color	C (mm.)	D (mm.)	E (mm.)	F (mm.)	G (mm.)	H (mm.)	I (mm.)	Code
4 AMC 600+Sylomer®	200	136	BLUE	M-16	150	12	170	190	214	156	20671
4 AMC 800+Sylomer®	200	136	WHITE	M-16	150	12	170	190	214	156	20672
4 AMC 1000+Sylomer®	200	136	BLACK	M-16	150	12	170	190	214	156	20673
4 AMC 1400+Sylomer®	200	136	CREAM	M-16	150	12	170	190	214	156	20674
4 AMC 2000+Sylomer®	250	136	LIGHT GREY	M-20	200	14	210	260	288	206	20675
4 AMC 3000+Sylomer®	250	136	GREEN	M-20	200	14	210	260	288	206	20676

Vibrabsorber 4 AMC

DRAWINGS



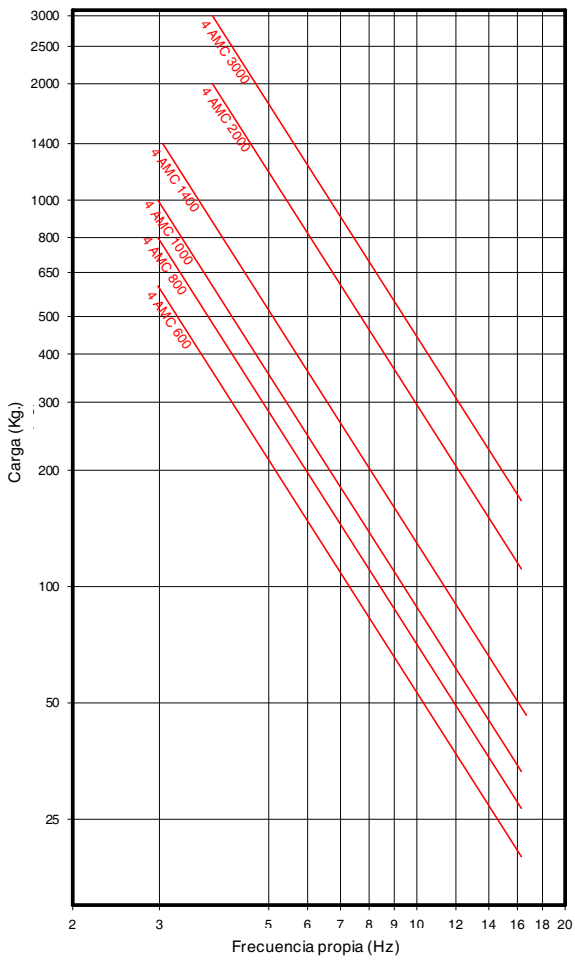
DIMENSIONS

Type	A (mm.)	B (mm.)	Spring color	C (mm.)	D (mm.)	E (mm.)	F (mm.)	Code
4 AMC 600	200	124	BLUE	M-16	150	12	170	20601
4 AMC 800	200	124	WHITE	M-16	150	12	170	20611
4 AMC 1000	200	124	BLACK	M-16	150	12	170	20621
4 AMC 1400	200	124	CREAM	M-16	150	12	170	20631
4 AMC 2000	250	124	LIGHT GREY	M-20	200	14	210	20641
4 AMC 3000	250	124	GREEN	M-20	200	14	210	20651

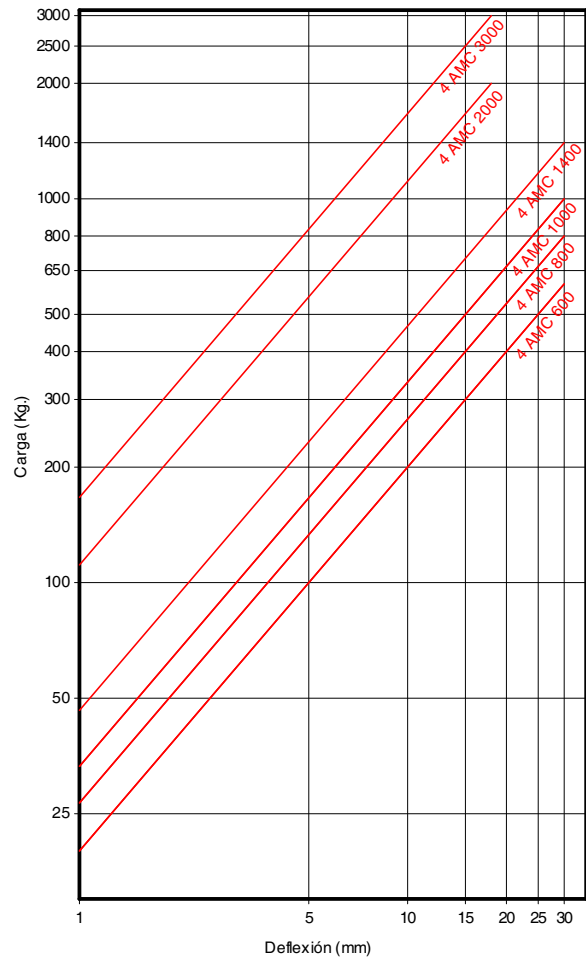
Vibrabsorber 4 AMC

ELASTICAL PROPERTIES

AMC FRECUENCIAS PROPIAS
MECANOCAUCHO® Tipo 4 AMC



AMC CARGA DEFORMACION
MECANOCAUCHO® Tipo 4 AMC



Vibrabsorber **5 AMC**



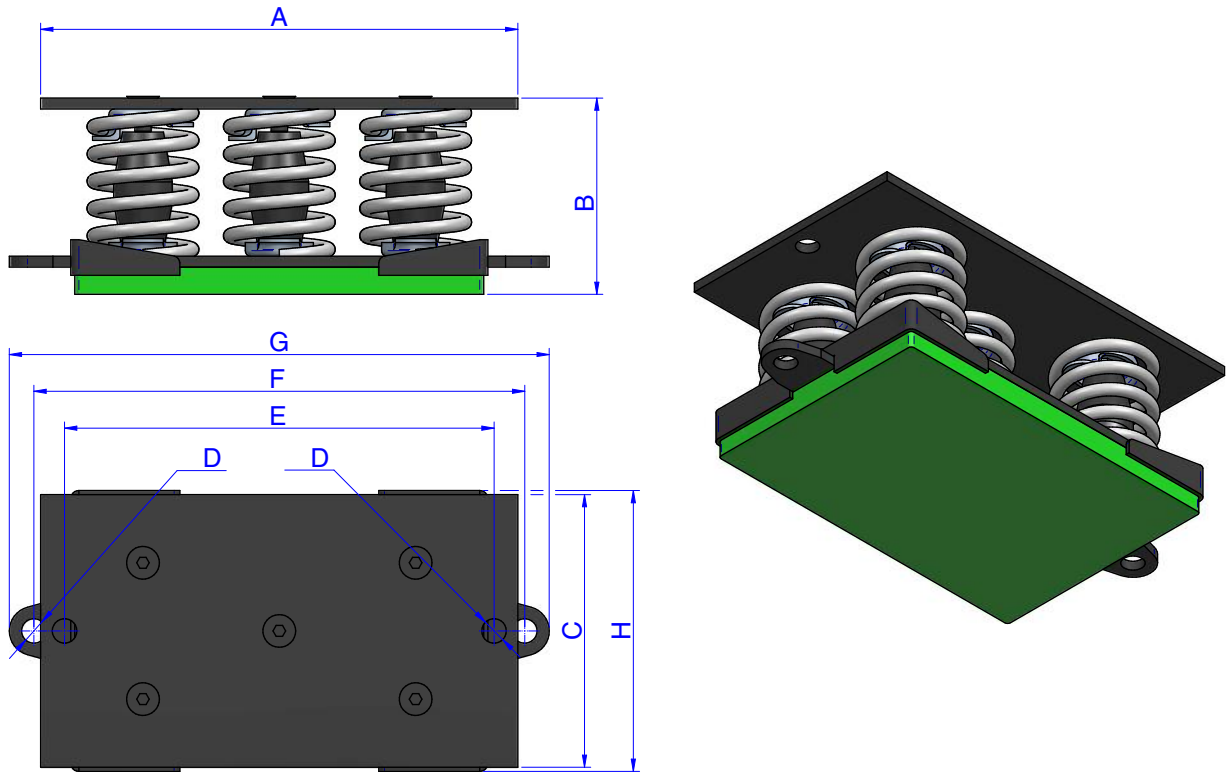
Spring mount is necessary in all machinery, which, by virtue of its design, has reciprocating or rotating parts, creates vibration to some degree through the imbalance of the moving parts.

This vibration produced by a machine leads to different problems, such as a reduction in the machine's useful life through part wear, plus the transmission of this vibration to other non-insulated adjacent structures, giving rise to problems of noise and vibration transmission. It is therefore important to install a spring mount to machinery.



Vibrabsorber 5 AMC

DRAWINGS



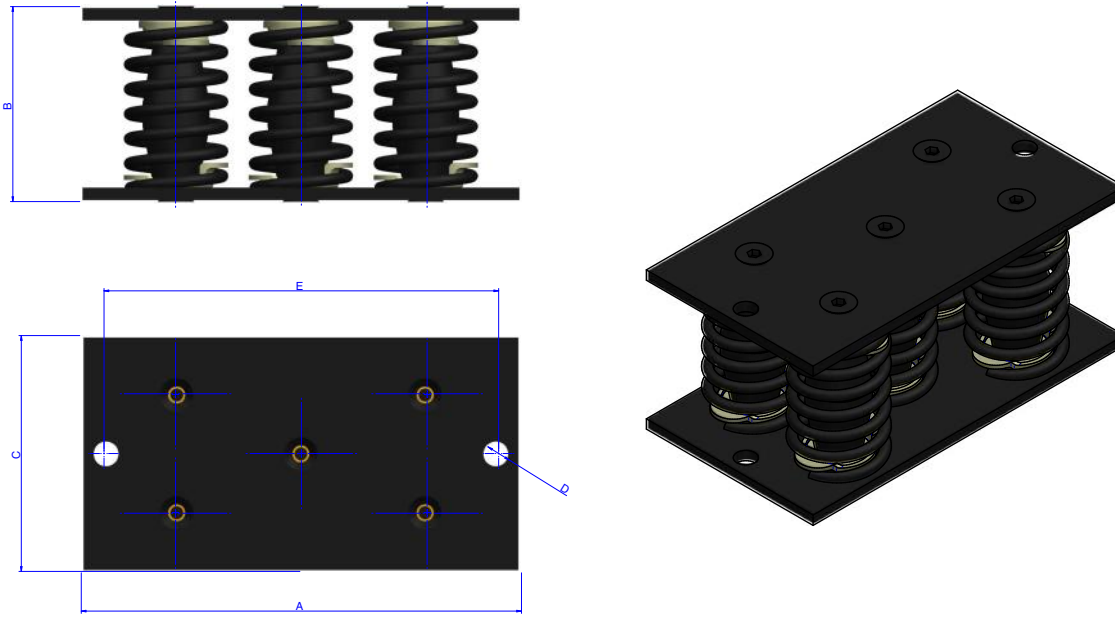
DIMENSIONS

Type	A (mm.)	B (mm.)	Spring color	C (mm.)	D (mm.)	E (mm.)	F (mm.)	G (mm.)	H (mm.)	Code
5 AMC 750+Sylomer®	280	136	BLUE	150	16	251	290	322	156	20771
5 AMC 1000+Sylomer®	280	136	WHITE	150	16	251	290	322	156	20772
5 AMC 1250+Sylomer®	280	136	BLACK	150	16	251	290	322	156	20773
5 AMC 1750+Sylomer®	280	136	CREAM	150	16	251	290	322	156	20774
5 AMC 2500+Sylomer®	350	136	LIGHT GREY	200	18	315	360	396	206	20775
5 AMC 3750+Sylomer®	350	136	GREEN	200	18	315	360	396	206	20776

Vibrabsorber

5 AMC

DRAWINGS



DIMENSIONS

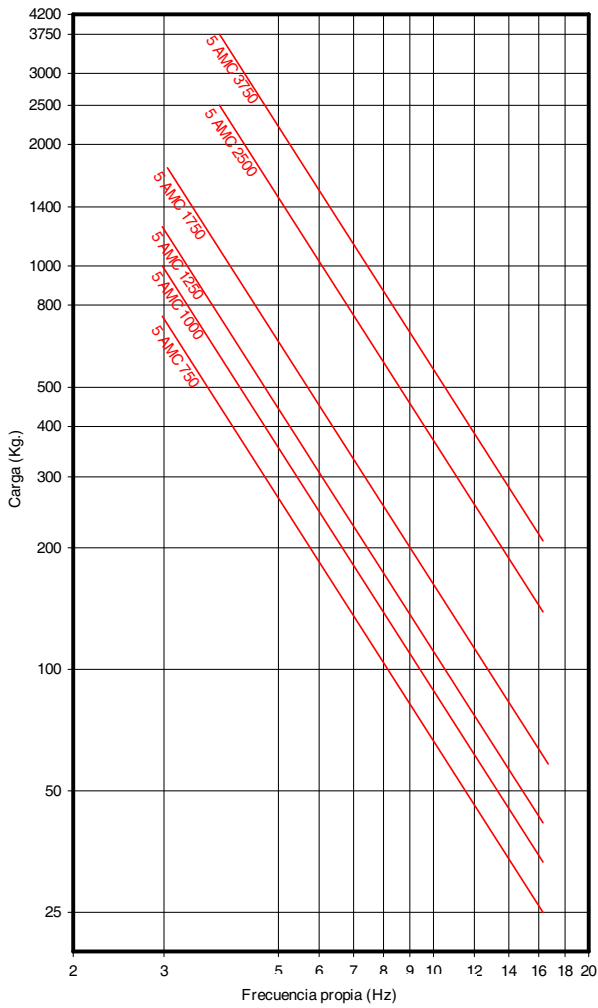
Type	A (mm.)	B (mm.)	Spring color	C (mm.)	D (mm.)	E (mm.)	Code
5 AMC 750	280	124	BLUE	150	16	248	20701
5 AMC 1.000	280	124	WHITE	150	16	248	20711
5 AMC 1.250	280	124	BLACK	150	16	248	20721
5 AMC 1.750	280	124	CREAM	150	16	248	20731
5 AMC 2.500	350	124	LIGHT GREY	200	18	300	20741
5 AMC 3.750	350	124	GREEN	200	18	315	20751

Vibrabsorber

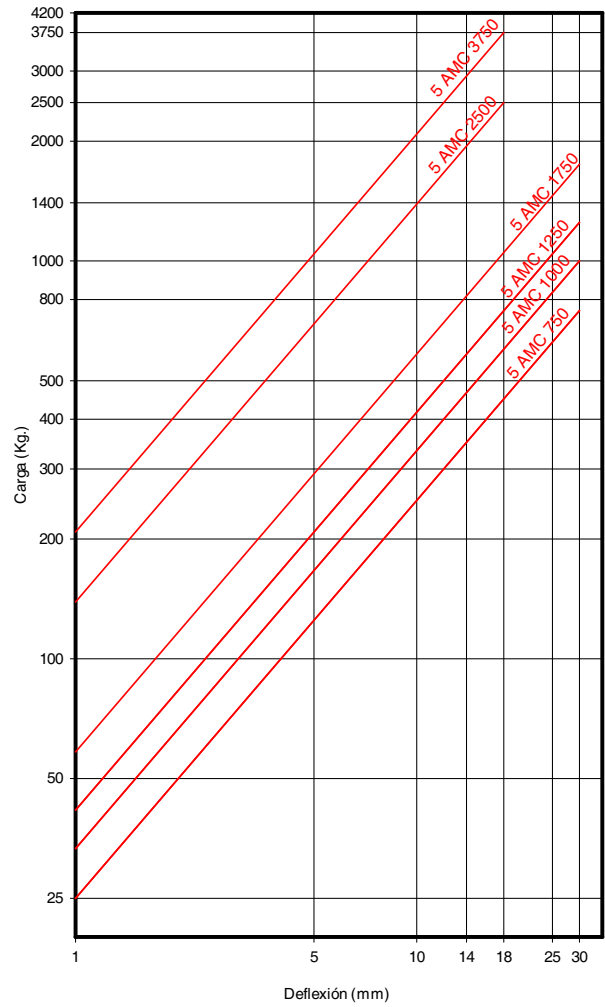
5 AMC

ELASTICAL PROPERTIES

AMC FRECUENCIAS PROPIAS
MECANOCAUCHO® Tipo 5 AMC



AMC CARGA DEFORMACION
MECANOCAUCHO® Tipo 5 AMC



Vibrabsorber **6 AMC**



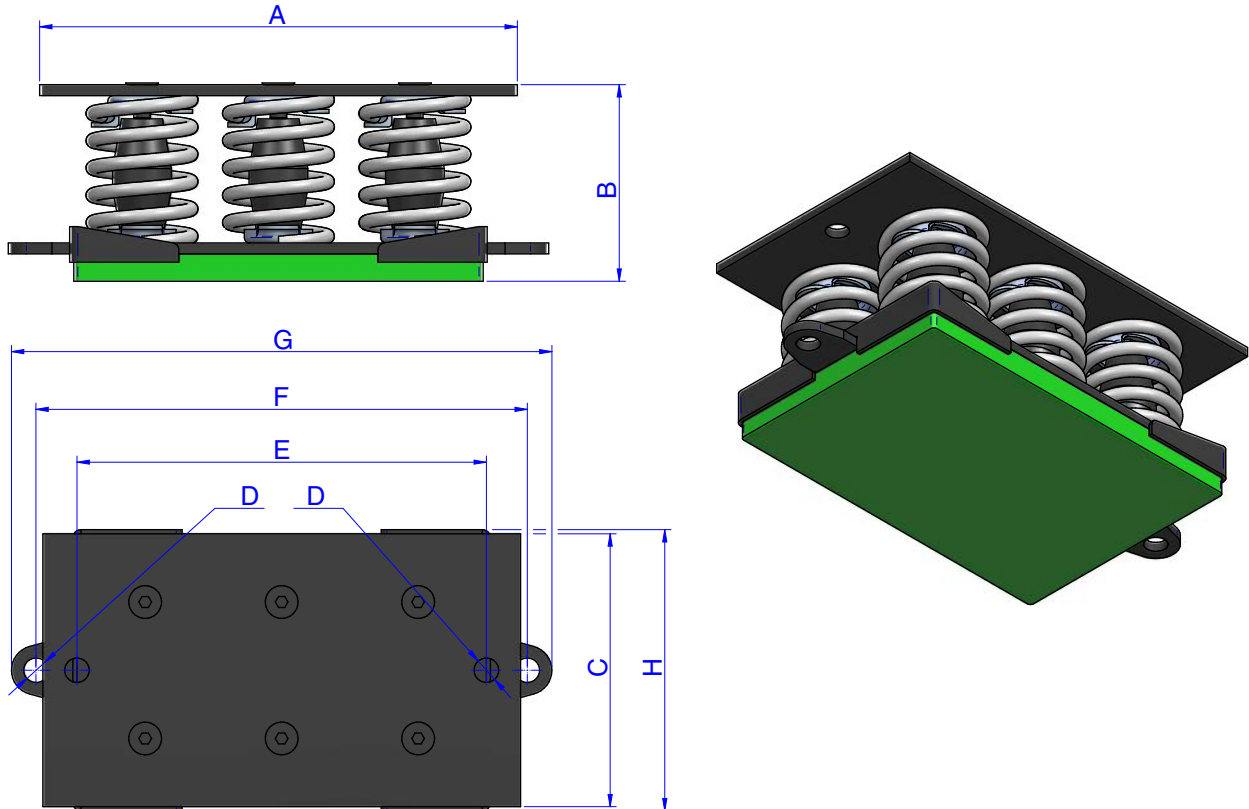
Spring mount is necessary in all machinery, which, by virtue of its design, has reciprocating or rotating parts, creates vibration to some degree through the imbalance of the moving parts.

This vibration produced by a machine leads to different problems, such as a reduction in the machine's useful life through part wear, plus the transmission of this vibration to other non-insulated adjacent structures, giving rise to problems of noise and vibration transmission. It is therefore important to install a spring mount to machinery.



Vibrabsorber 6 AMC

DRAWINGS



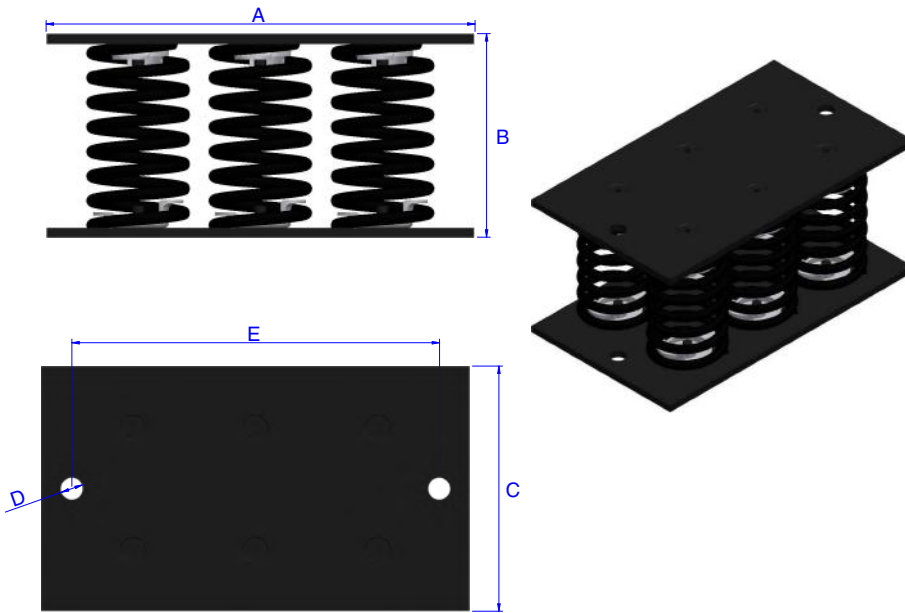
DIMENSIONS

Type	A (mm.)	B (mm.)	Spring color	C (mm.)	D (mm.)	E (mm.)	F (mm.)	G (mm.)	H (mm.)	Code
6 AMC 900+Sylomer®	280	136	BLUE	150	16	248	290	322	156	20871
6 AMC 1200+Sylomer®	280	136	WHITE	150	16	248	290	322	156	20872
6 AMC 1500+Sylomer®	280	136	BLACK	150	16	248	290	322	156	20873
6 AMC 2100+Sylomer®	280	136	CREAM	150	16	248	290	322	156	20874
6 AMC 3000+Sylomer®	350	136	LIGHT GREY	200	18	300	360	396	206	20875
6 AMC 4500+Sylomer®	350	136	GREEN	200	18	300	360	396	206	20876

Vibrabsorber

6 AMC

DRAWINGS



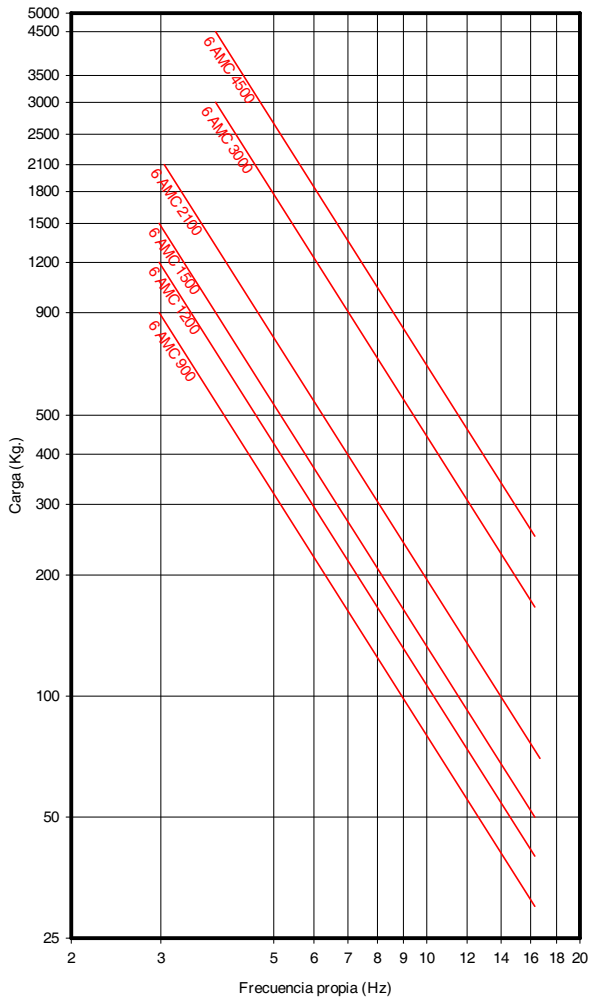
DIMENSIONS

Type	A (mm.)	B (mm.)	Spring color	C (mm.)	D (mm.)	E (mm.)	Code
6 AMC 900	280	124	BLUE	150	16	248	20801
6 AMC 1.200	280	124	WHITE	150	16	248	20811
6 AMC 1.500	280	124	BLACK	150	16	248	20821
6 AMC 2.100	280	124	CREAM	150	16	248	20831
6 AMC 3.000	350	124	LIGHT GREY	200	18	300	20841
6 AMC 4.500	350	124	GREEN	200	18	300	20851

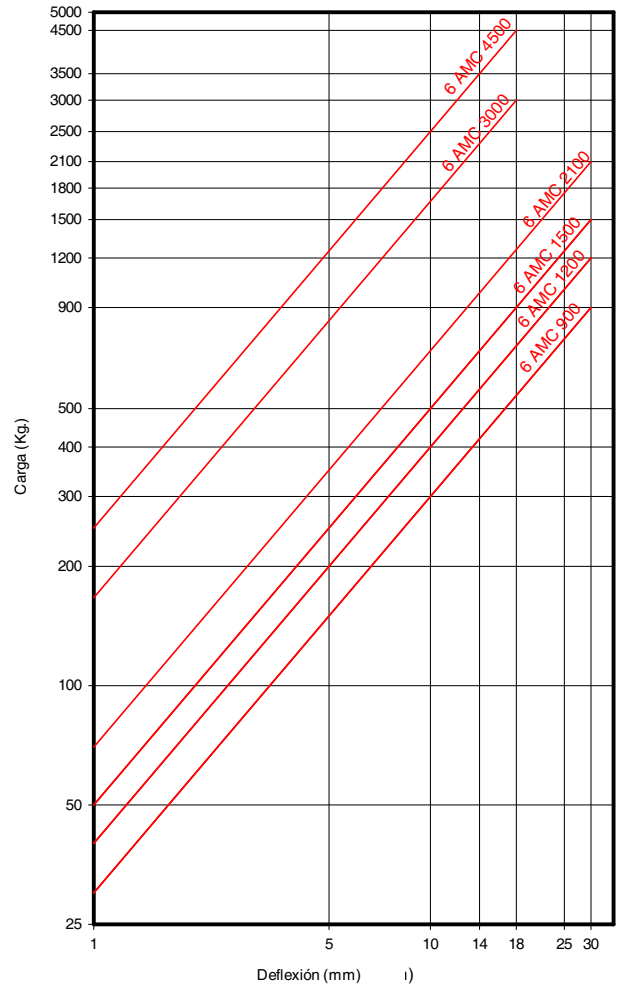
Vibrabsorber 6 AMC

ELASTICAL PROPERTIES

AMC FRECUENCIAS PROPIAS
MECANOCAUCHO® Tipo 6 AMC



AMC CARGA DEFORMACION
MECANOCAUCHO® Tipo 6 AMC



Vibrabsorber **9 AMC**



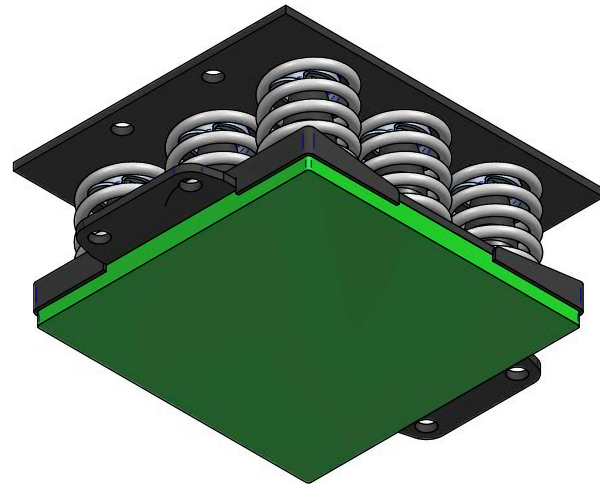
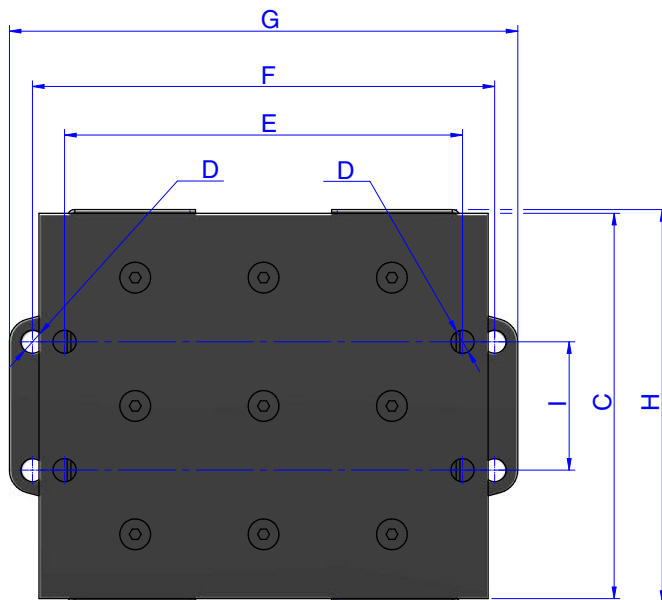
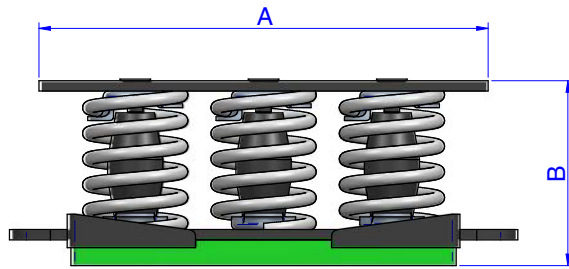
Spring mount is necessary in all machinery, which, by virtue of its design, has reciprocating or rotating parts, creates vibration to some degree through the imbalance of the moving parts.

This vibration produced by a machine leads to different problems, such as a reduction in the machine's useful life through part wear, plus the transmission of this vibration to other non-insulated adjacent structures, giving rise to problems of noise and vibration transmission. It is therefore important to install a spring mount to machinery.



Vibrabsorber 9 AMC

DRAWINGS



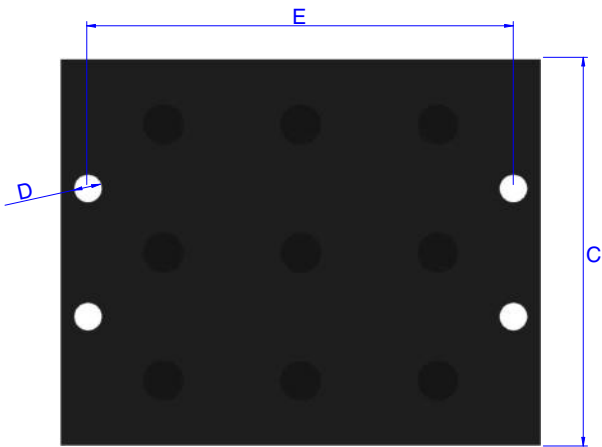
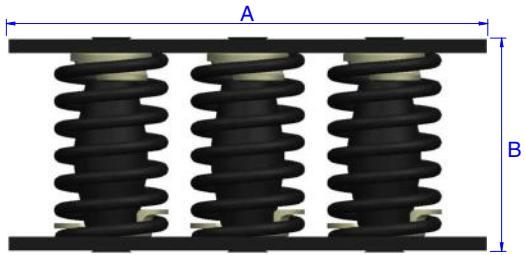
DIMENSIONS

Type	A (mm.)	B (mm.)	Spring color	C (mm.)	D (mm.)	E (mm.)	F (mm.)	G (mm.)	H (mm.)	I (mm.)	Code
9 AMC 1350+Sylomer®	280	136	BLUE	226	16	248	290	322	232	75	20971
9 AMC 1800+Sylomer®	280	136	WHITE	226	16	248	290	322	232	75	20972
9 AMC 2250+Sylomer®	280	136	BLACK	226	16	248	290	322	232	75	20973
9 AMC 3150+Sylomer®	280	136	CREAM	226	16	248	290	322	232	75	20974
9 AMC 4500+Sylomer®	350	136	LIGHT GREY	300	18	310	360	396	306	100	20975
9 AMC 6750+Sylomer®	350	136	GREEN	300	18	310	360	396	306	100	20976

Vibrabsorber

9 AMC

DRAWINGS



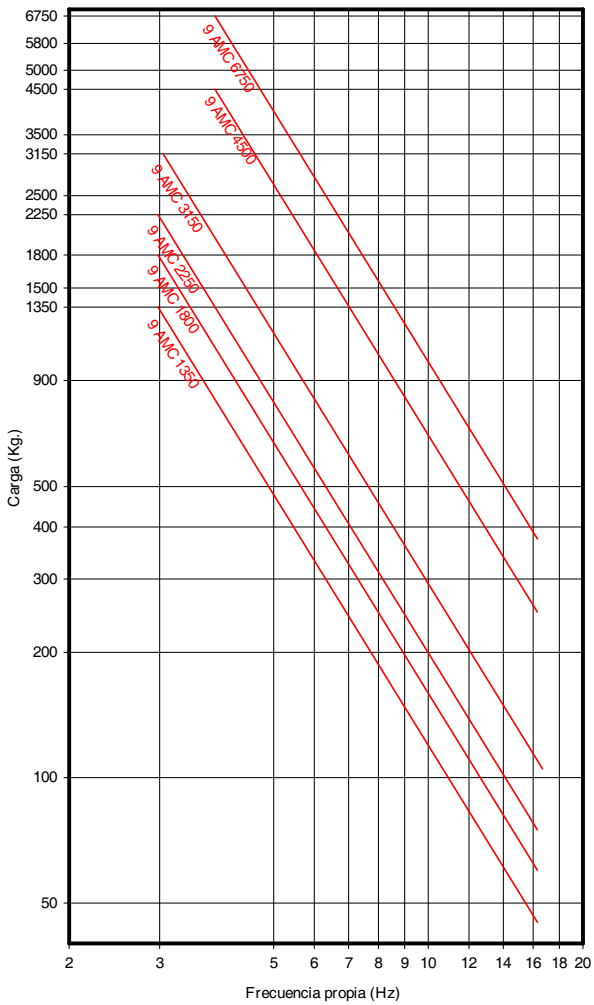
DIMENSIONS

Type	A (mm.)	B (mm.)	Spring color	C (mm.)	D (mm.)	E (mm.)	Code
9 AMC 1.350	280	124	BLUE	226	16	248	20901
9 AMC 1.800	280	124	WHITE	226	16	248	20911
9 AMC 2.250	280	124	BLACK	226	16	248	20921
9 AMC 3.150	280	124	CREAM	226	16	248	20931
9 AMC 4.500	350	124	LIGHT GREY	300	18	310	20941
9 AMC 6.750	350	124	GREEN	300	18	310	20951

Vibrabsorber 9 AMC

ELASTICAL PROPERTIES

AMC FRECUENCIAS PROPIAS
MECANOCAUCHO® Tipo 9 AMC



AMC CARGA DEFORMACION
MECANOCAUCHO® Tipo 9 AMC

